

# noztek Pelletiser

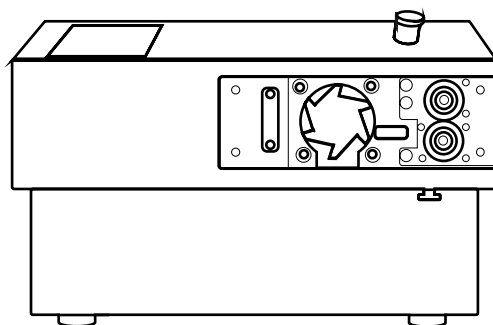
## FEATURES

Pace minimotor 24V 59RPM  
 21 Nm Torque  
 Up to 1.5 kg per hour output  
 4.3" Touch Screen Display  
 Up to 48 Metres per hour cutting rate

2 interchangeable cutting discs  
 Multiple Safety Features  
 Super Hardened Steel Cutting blades  
 Preset options for quick start  
 Stainless steel Chassis



<b>Diameter input</b>	Input range is from 0.5 mm to 3mm
<b>Segment length output</b>	Length-per-pellet range is from 0.3 mm minimum to a +maximum 10 mm
6 blade cutting disc	Length per pellet range is from 0.3 mm minimum to a maximum 5mm
24 blade cutting disc	For input diameter larger than 1.75mm it is recommended not to exceed 4 mm length
<b>Speed input</b>	Maximum feed-in rate is 4 meters a minute. (Speed may be slower depending on desired pellet size output) Minimum feed-in rate is 1 meter per 6.5 minutes
<b>Quantity output</b>	Maximum quantity output is 1440 pellets a minute (Maximum quantity output may be lower depending on desired pellet size output and feed in rate)



Dimensions (cm):

H: 30

W: 44

D: 25.5

Weight:

36kg